

DUO 2.0

Technical Data Sheet

Product Description

Linear LED Extrusion profile:

- 75 x 90mm

One of our latest designs. Built for direct & indirect lighting applications.

Designed with JB LEDs universal technology.

Diffuser Options

Frosted - A2100 Diffuser

Opal - A1LEDAC Diffuser

Miro 5 - JBLED LV Louvre Reflector

Finish Options

The following options are available:

- Anodised
- Powder coat - Black/White
- Custom colour - Available on request

Mounting Options

The following mounting configurations are available:

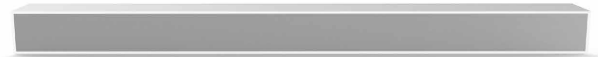
- Wire suspended
- Wall mounted

Light Source Options

The following constant current LED modules come in the following strengths

Dimmable	Non-Dimmable
3000K	3000K
3500K	3500K
4000K	4000K
5000K	5000K
6500K	6500K

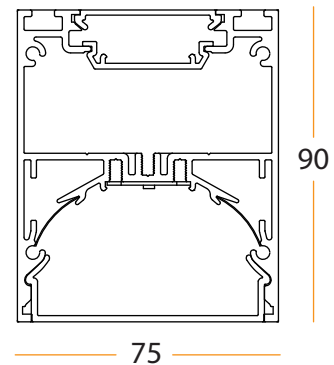
All information present is accurate to the time of printing



FRONT



BACK



DUO 2.0

Technical Data Sheet

Lumen Maintenance

50,000 hours at 70% brightness

All information present is accurate
to the time of printing

Driver Specifications

Fixed Output/ DSI/ Dali/ SwitchDIM

Lumen Packages (per 1.12m lengths)

This table below is to be used as a guide only

Low Output (28001477)

Power (W)	Output (lm/1.12m)
10	1860
12.4	2240
13.6	2440
14.8	2640
16	2820
18.4	3160
21	3500
23.6	3820

High Output (28001492)

Power (W)	Output (lm/1.12m)
20.2	3700
24.6	4500
27	4880
29.4	5260
32	5620
37	6320
42	7000
47.2	7620